

PROUDLY AUSTRALIAN



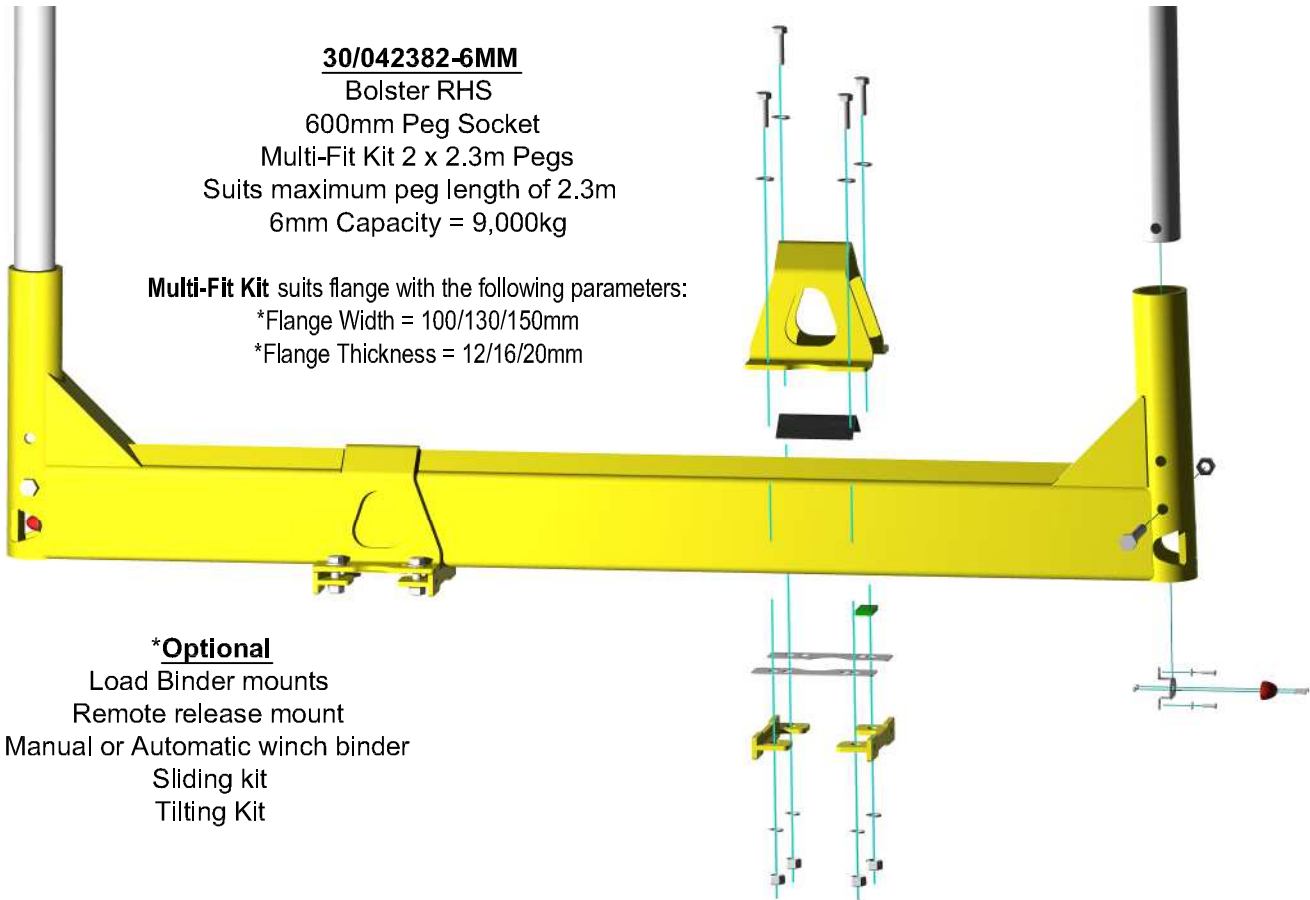
ELPHINSTONE BOLSTERS

30/042382-6MM

Bolster RHS
 600mm Peg Socket
 Multi-Fit Kit 2 x 2.3m Pegs
 Suits maximum peg length of 2.3m
 6mm Capacity = 9,000kg

Multi-Fit Kit suits flange with the following parameters:

- *Flange Width = 100/130/150mm
- *Flange Thickness = 12/16/20mm

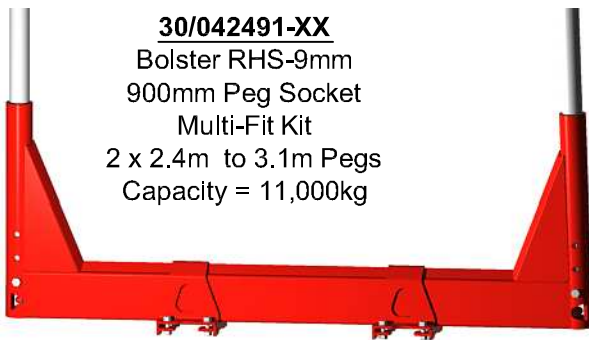


***Optional**

- Load Binder mounts
- Remote release mount
- Manual or Automatic winch binder
- Sliding kit
- Tilting Kit

30/042491-XX

Bolster RHS-9mm
 900mm Peg Socket
 Multi-Fit Kit
 2 x 2.4m to 3.1m Pegs
 Capacity = 11,000kg



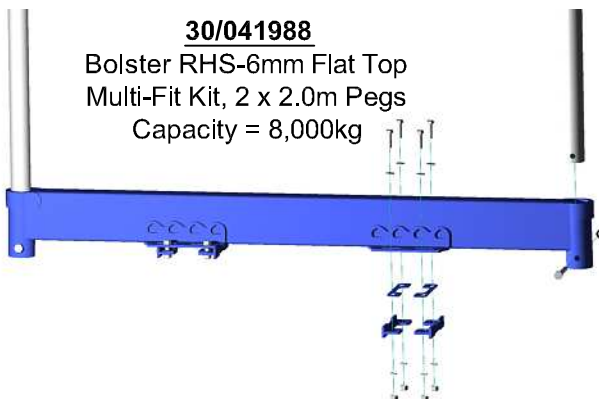
30/042495L OR 30/042495R

Bolster RHS-6mm with Winch mounts
 600mm Peg Socket
 Multi-Fit Kit 2 x 2.3m Pegs
 Suits maximum peg length of 2.3m
 6mm Capacity = 9,000kg



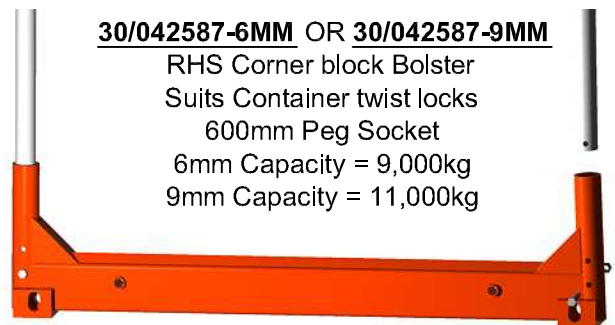
30/041988

Bolster RHS-6mm Flat Top
 Multi-Fit Kit, 2 x 2.0m Pegs
 Capacity = 8,000kg



30/042587-6MM OR 30/042587-9MM

RHS Corner block Bolster
 Suits Container twist locks
 600mm Peg Socket
 6mm Capacity = 9,000kg
 9mm Capacity = 11,000kg



*Bolster Kits include the pegs, mounts and clearance Lights.

Telephone 1800 030 019

Email: info@elph.com.au

Web: www.elph.com.au

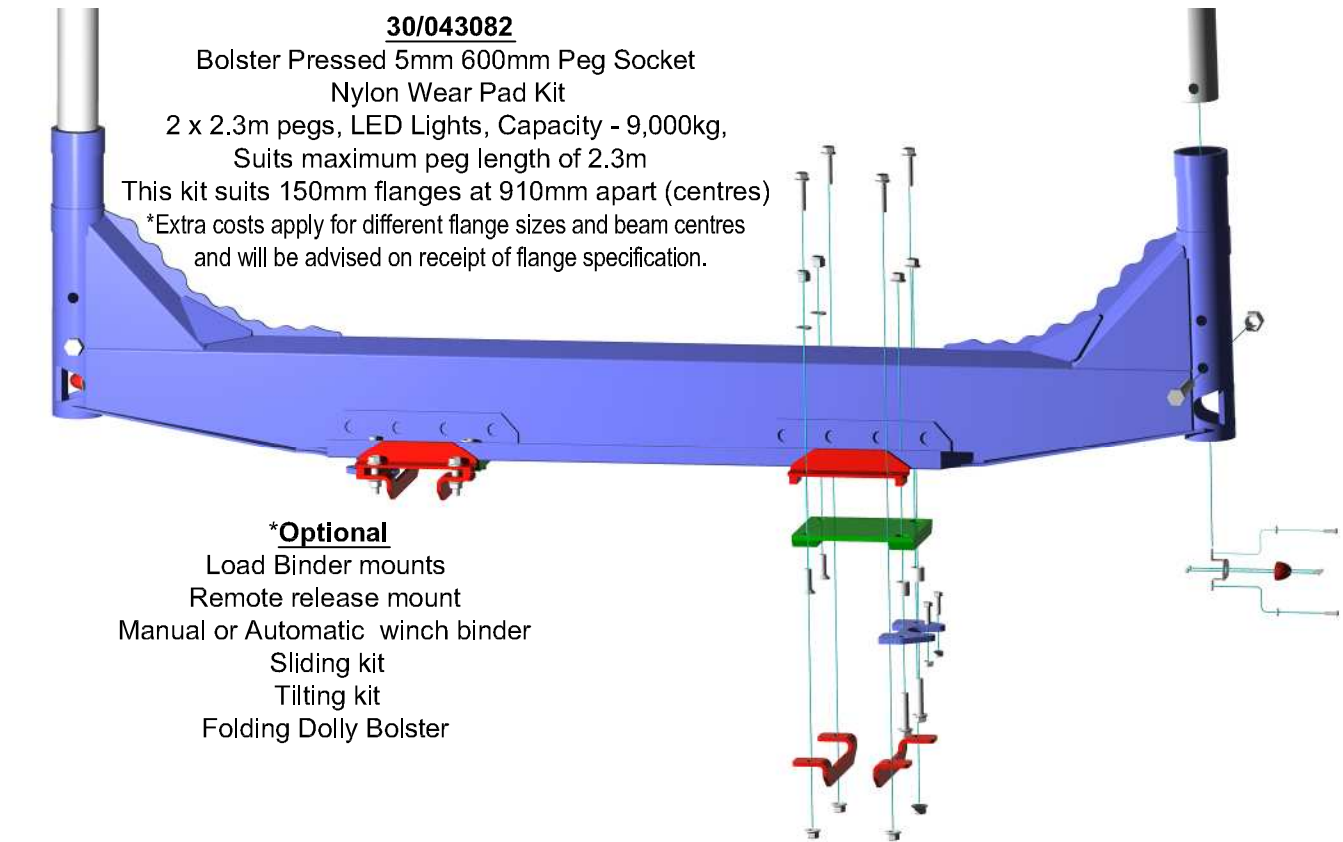
ELPHINSTONE BOLSTERS

30/043082

Bolster Pressed 5mm 600mm Peg Socket
Nylon Wear Pad Kit
2 x 2.3m pegs, LED Lights, Capacity - 9,000kg,
Suits maximum peg length of 2.3m
This kit suits 150mm flanges at 910mm apart (centres)
*Extra costs apply for different flange sizes and beam centres
and will be advised on receipt of flange specification.

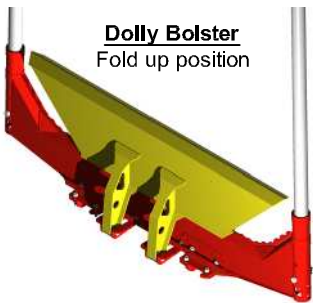
*Optional

Load Binder mounts
Remote release mount
Manual or Automatic winch binder
Sliding kit
Tilting kit
Folding Dolly Bolster



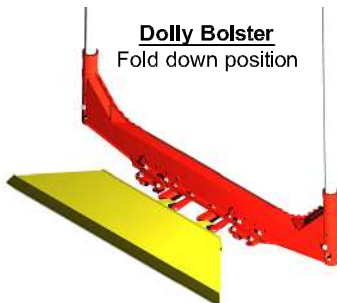
Dolly Bolster

Fold up position



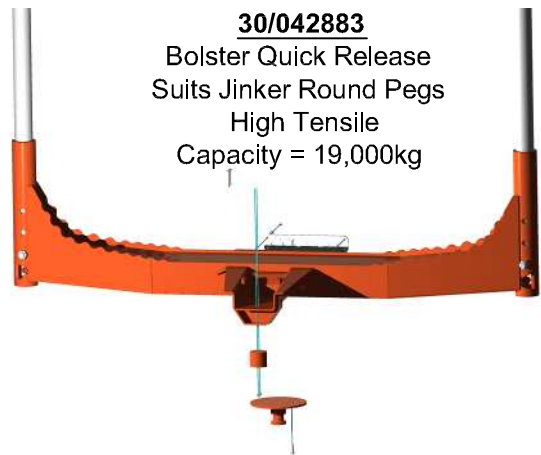
Dolly Bolster

Fold down position



30/042883

Bolster Quick Release
Suits Jinker Round Pegs
High Tensile
Capacity = 19,000kg



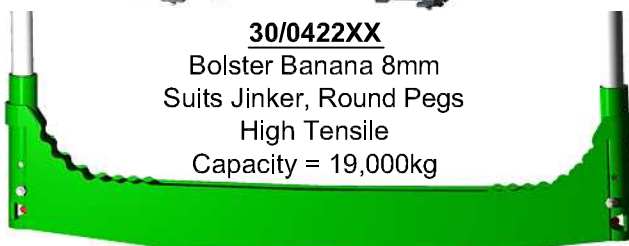
30/043770

Bolster Sliding Pressed 8mm
900mm Peg Socket
Nylon Wear Pad Kit
2 x 2.4m to 3.1m pegs
Capacity = 11,000kg



30/0422XX

Bolster Banana 8mm
Suits Jinker, Round Pegs
High Tensile
Capacity = 19,000kg



30/04509x

Flat Quick Release Bolster
Multi Fit positions
with variable adapter options
Capacity = 27,000kg

