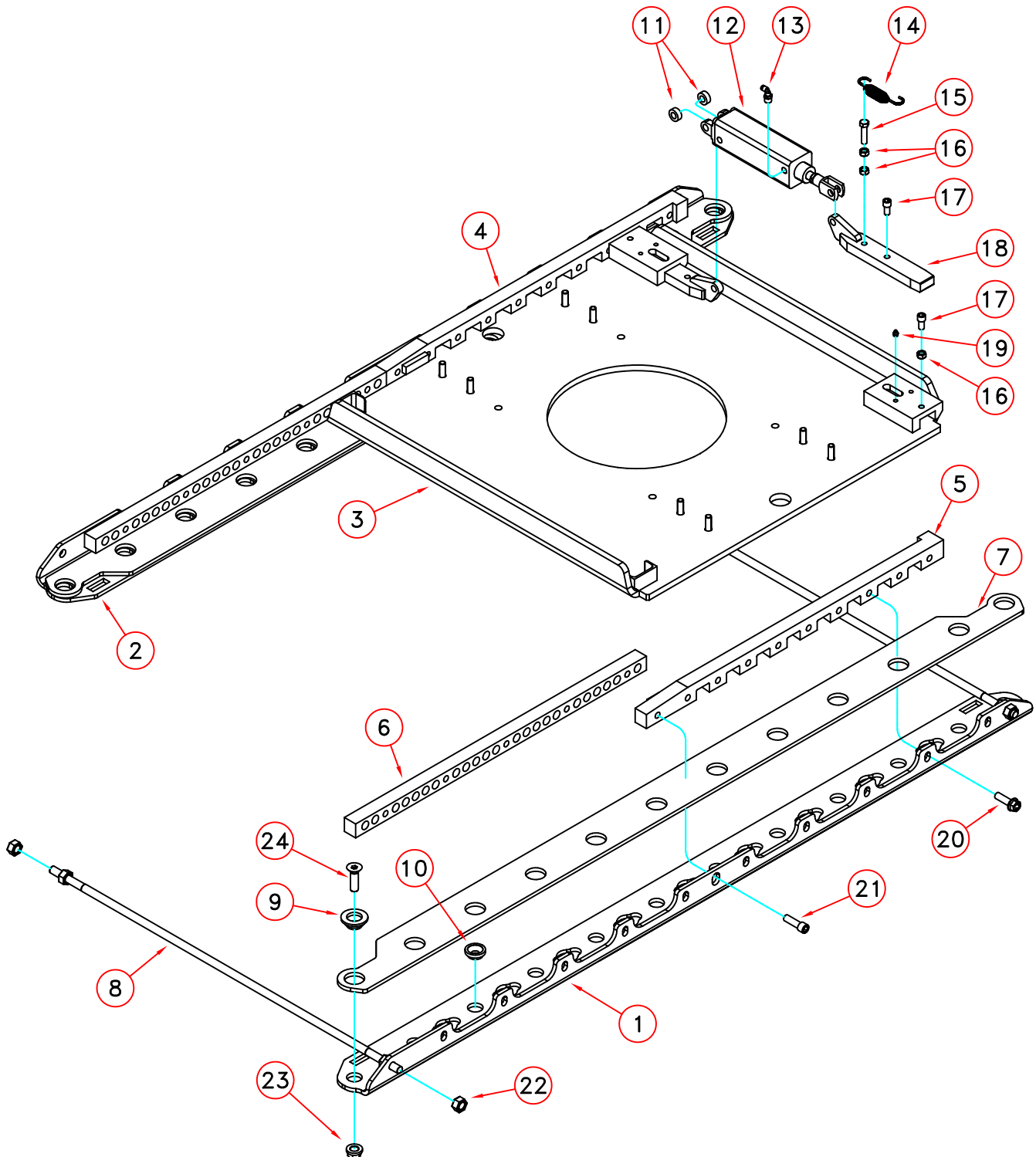




# SLIDER ASS'Y - BARE

## ELPHINSTONE - 952mm RACK & WEDGE TYPE

### 12mm SHORT BASE PLATE - BOLT ON ISO FEET





PARTLIST.DOT

**COMPONENT: SLIDER ASS'Y - TRUCK - ELPHINSTONE - 952mm RACK & WEDGE TYPE**

INDE	PART NO.	QTY	DESCRIPTION	SIZE
	<b>30/07499712</b>	<b>1</b>	<b>SLIDER ASS'Y. Bare. 12mm Base Plate. Suit Ballrace/5<sup>th</sup> Wheel Consists Of Index No's 1 - 29</b>	
1	30/074902	1	ANGLE. Right Hand	
2	30/074901	1	ANGLE. Left Hand	
3	30/073955	1	BASE Plate Short 12mm Suit Bolt On Feet	
4	30/074905	1	RACK. Front Section. Left Hand	
5	30/074904	1	RACK. Front Section. Right Hand	
6	30/073944	2	RACK. Rear Section	
7	30/074906	2	WEAR PAD. Nylon	
8	30/073948	2	TIE ROD	
9	30/074908	4	WASHER. C/Sunk. Wear Pad Ends	
10	30/074907	20	WASHER. C/Sunk. Mounting Angles	
11	30/073232	2	SPACER. Nylon	
12	12/DNC-63-125-PPV-A	1	CYLINDER. Pneumatic	
13	12/PL0.25-03	2	ELBOW. 90°	1/4"Tube x 3/8"NPT
14	10/0539726030	2	SPRING. Booster	
15	90/782008	2	BOLT. Grade 8. Zinc Plated	1/2"UNC x 2"
16	90/789908	6	NUT. Grade 8. Zinc Plated	1/2"UNC
17	90/781008SH	4	SCREW. Socket Head Cap	1/2"UNC x 1"
18	30/073967	2	KEY ASS'Y. Sliding. Bare	
19	18/RH29	4	GREASE NIPPLE. Straight	1/8"BSP
20	90/882010F	20	BOLT. Flange. Grade 8.8 Trim to 46mm	5/8"UNF x 2"
21	90/782010SH	2	BOLT. Socket Head Cap	5/8"UNC x 2"
22	90/789912	8	NUT. Grade 8	3/4"UNC
		<b>1</b>	<b>MOUNTING KIT. Elphinstone Engineering. Consists Of Index No's 23 - 29</b>	
23	90/889912F	24	NUT. Flange. Grade 8	3/4"UNF
24	90/882512CS	24	BOLT. Countersunk. Grade 8	3/4"UNF x 2-1/2"
25	90/889910F	6	NUT. Flange. Grade 8	5/8"UNF
26	90/882010F	6	BOLT. Flange. Grade 8	5/8"UNF x 2"
27	90/789810	8	NUT. Nyloc. Zinc Plated	5/8"UNC
28	90/970010	8	WASHER. Hard Flat Structural	5/8"
29	14/TY525MX	1	CABLE TIES (100/Pack) <i>Not Shown</i>	

**Not Part Of The Bare Slider Assembly Above**

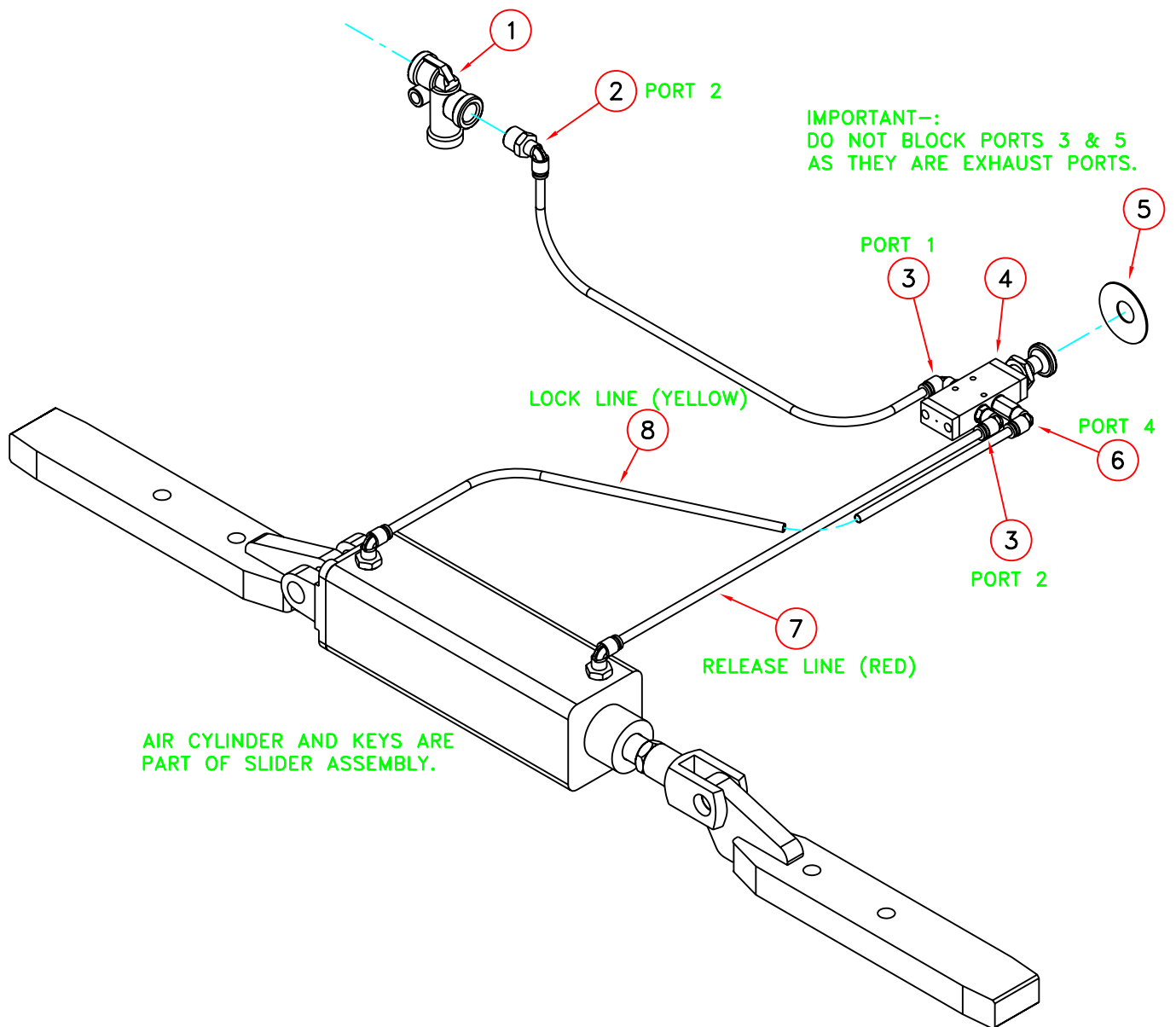
PLUMBING KIT. Solenoid Valve Operated. Refer To Drawing/Text Sheet X-073972

PLUMBING KIT. Push/Pull Switch Operated. Refer To Drawing/Text Sheet X-073973



# PLUMBING KIT. PUSH/PULL SWITCH RACK & WEDGE TYPE TRUCK SLIDER

FOR AIR SUPPLY  
CONNECT PRESSURE PROTECTION VALVE  
INTO AN EXISTING AIR TANK ON TRUCK.





PARTLIST.DOT

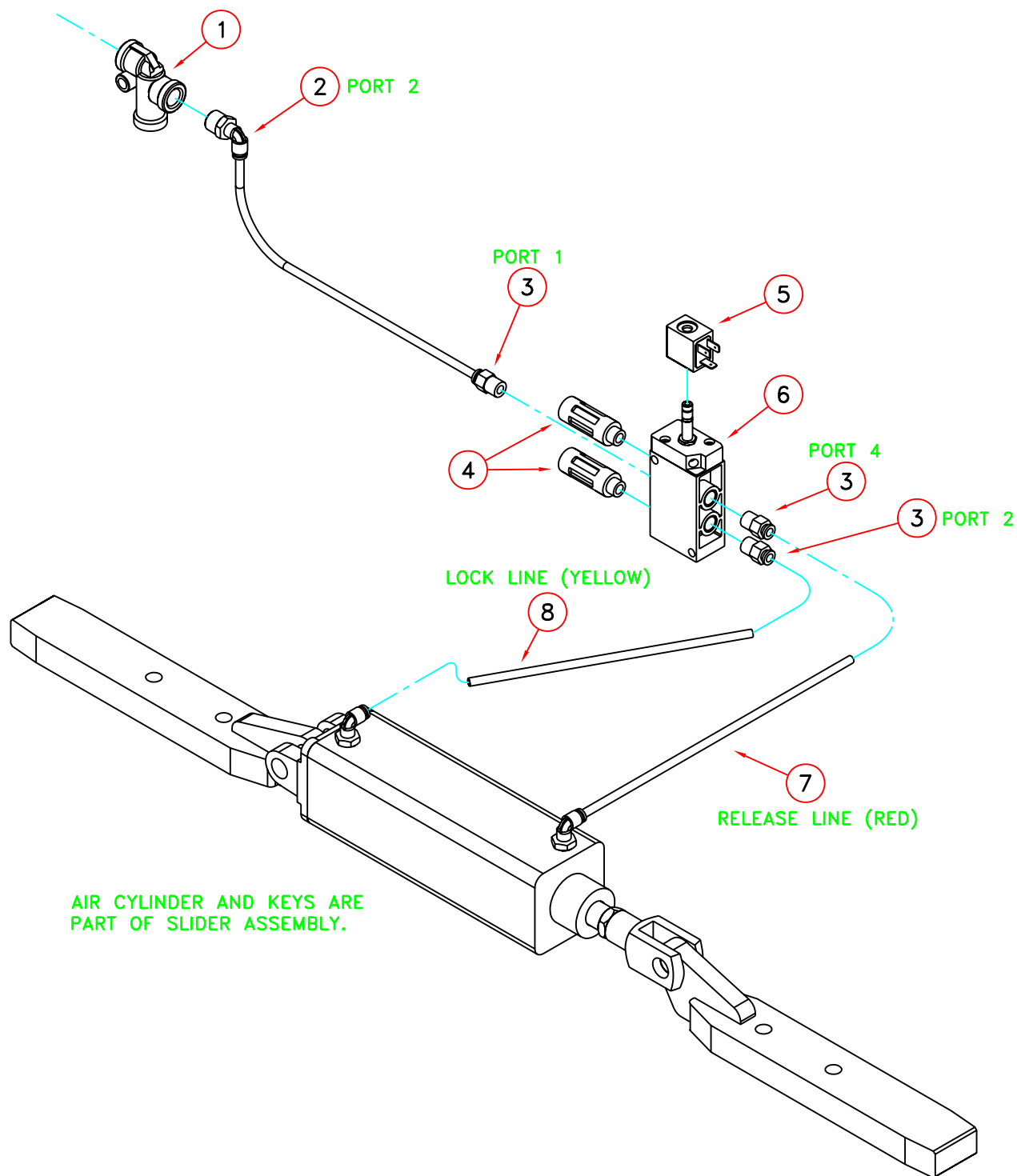
COMPONENT: **TRUCK SLIDER - RACK & WEDGE TYPE**

INDEX	PART NO.	QTY	DESCRIPTION	SIZE
	<b>30/073973</b>	<b>1</b>	<b>PLUMBING KIT. Push/Pull Switch</b> <b>Consists Of Index No's 1 - 9</b>	
1	12/SC140280	1	VALVE. Pressure Protection	3/8"NPT Ports
2	12/PL0.25-03	1	ELBOW. 90°	1/4"Tube x 3/8"NPT Male
3	12/PL0.25-01	2	ELBOW. 90°	1/4"Tube x 1/8"NPT Male
4	12/228-52-8	1	VALVE. Slider Control	1/8"NPT Female
5	12/073912	1	DECAL. Slider. Pull To Release	
6	12/PLL0.25-01	1	ELBOW. Long. 90°	1/4"Tube x 1/8"NPT Male
7	12/T141-4YEL	11mtr	TUBE. Nylon 12 (Red)	1/4"
8	12/T141-4RED	11mtr	TUBE. Nylon 12 (Yellow)	1/4"
9	X-073973	1	DRAWING. Exploded View/Text Sheet	



# PLUMBING KIT. SOLENOID OPERATED RACK & WEDGE TYPE TRUCK SLIDER

FOR AIR SUPPLY  
CONNECT PRESSURE PROTECTION VALVE  
INTO AN EXISTING AIR TANK ON TRUCK.



AIR CYLINDER AND KEYS ARE  
PART OF SLIDER ASSEMBLY.



PARTLIST.DOT

COMPONENT: **TRUCK SLIDER - RACK & WEDGE TYPE**

INDEX	PART NO.	QTY	DESCRIPTION	SIZE
	<b>30/073973</b>	<b>1</b>	<b>PLUMBING KIT. Push/Pull Switch</b> <b>Consists Of Index No's 1 - 9</b>	
1	12/SC140280	1	VALVE. Pressure Protection	3/8"NPT Ports
2	12/PL0.25-03	1	ELBOW. 90°	1/4"Tube x 3/8"NPT Male
3	12/PL0.25-01	2	ELBOW. 90°	1/4"Tube x 1/8"NPT Male
4	12/228-52-8	1	VALVE. Slider Control	1/8"NPT Female
5	12/073912	1	DECAL. Slider. Pull To Release	
6	12/PLL0.25-01	1	ELBOW. Long. 90°	1/4"Tube x 1/8"NPT Male
7	12/T141-4YEL	11mtr	TUBE. Nylon 12 (Red)	1/4"
8	12/T141-4RED	11mtr	TUBE. Nylon 12 (Yellow)	1/4"
9	X-073973	1	DRAWING. Exploded View/Text Sheet	