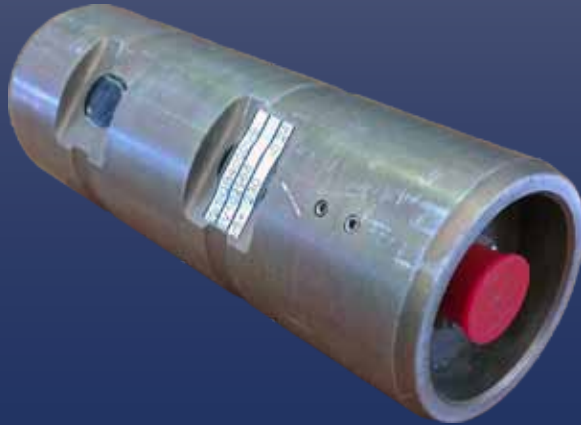


Loadcell Model 4000

Product Specification



For use in: Heavy Duty Mining and Special Applications.

PROUDLY AUSTRALIAN



www.elph.com.au

Assembly Numbers

29/SQB4000VB Loadcell only (shown)

29/SQB4000VB Loadcell, unitised with bearing plates

Structural Configuration

Double ended, rigid-mount shear pin

Compression loading

Bare Weight

7.6kg

Static Capacity

0kg

Dynamic Capacity

0kg

Safe Overload

150% of Static Capacity

Ultimate Overload

Minimum of 300% of Static Capacity

Loadcell Body Material

Missing

Connector

4 pin Military style, injection moulded

Cable

Custom 4 core with polyurethane jacket

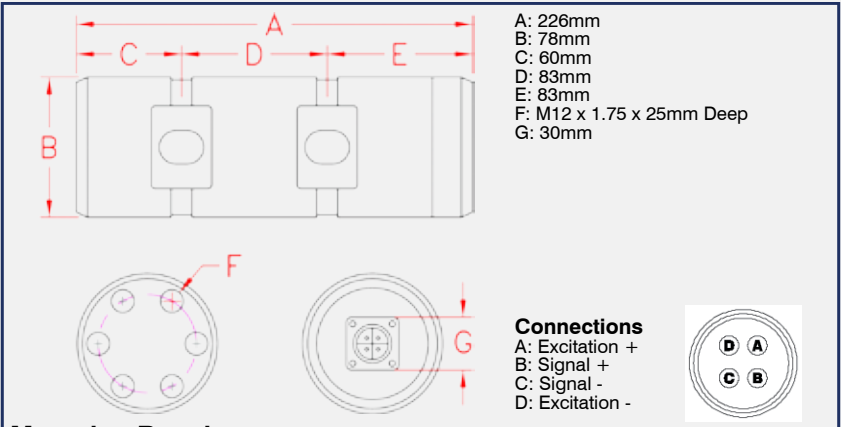
Electrical

Excitation: 15 volts (AC or DC)
5-10 volts recommended

Output: 0.49.mv/v @ 3,175kg

Impedence: 350Ω +/- 1.0Ω

Isolation: 500MΩ at 50 volts



Mounting Requirements

Top Plate must be dead stiff and machined flat after welding.
 Bottom Mounting must be dead stiff.
 Bearing plate must be welded using 10mm fillet.
 Across ends and 100mm down each side towards centre. Also in centre both sides for 50mm.

Capacity

Maximum Dynamic Load	0kg (0 lb)
Maximum Static Load	0kg (0 lb)
Top bolt thread engagement into loadcell	Min: 0mm
	Max: 0mm

Bolt Tensions

- " Top mounting bolts = 0Nm(0ft/lb)
 - " End mounting bolt = 0Nm(0ft/lb)
- Coat all bolts with anti-seize

Precautions

Do not strike an Arc on the loadcell body with a welder. It is OK to use the loadcell to position the Mounting Bushes for tack welding only. Remove the loadcell to complete the welding procedure.
 Do not damage the cover plate as this protects delicate strain gauges.
 Take care to protect the loadcell connector/cable as this can not be replaced in the field.
 Fit protection for the loadcell connector from stones and foreign objects which may damage it.
 Do not damage or paint over the Part/Serial Number identification tag.

IMPORTANT

Loadcell must be mounted in accordance with Elphinstone instructions. Failure to do so may void warranty. Specifications subject to change without notice. These specifications supercede all previous specifications as of October 2006.

PROUDLY AUSTRALIAN



1800 030 019
www.elph.com.au

**Tasmania
Head Office**

Address: 36 Tasman Highway, Triabunna, TAS 7190
Phone: (03) 6257 3242
Fax: (03) 6257 3573
Email: tri.office@elph.com.au

**Victoria
Mainland Office**

Address: 670 Somerville Road, Sunshine West, VIC
3020
Phone: (03) 9311 6366
Fax: (03) 9311 6466
Email: vic.office@elph.com.au