

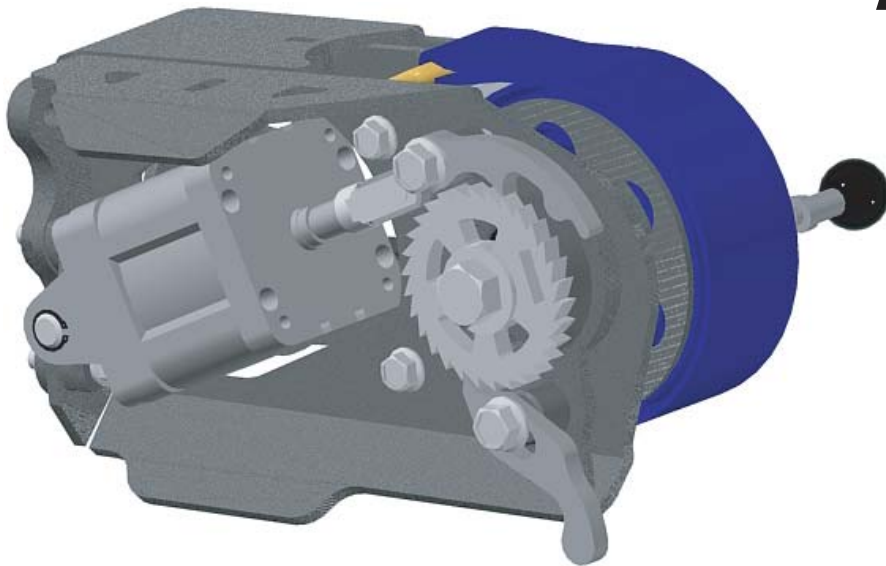
PROUDLY AUSTRALIAN



PRODUCT SPECIFICATION

LOAD BINDER WINCHES

AutoTensioner (Air) 30/303899



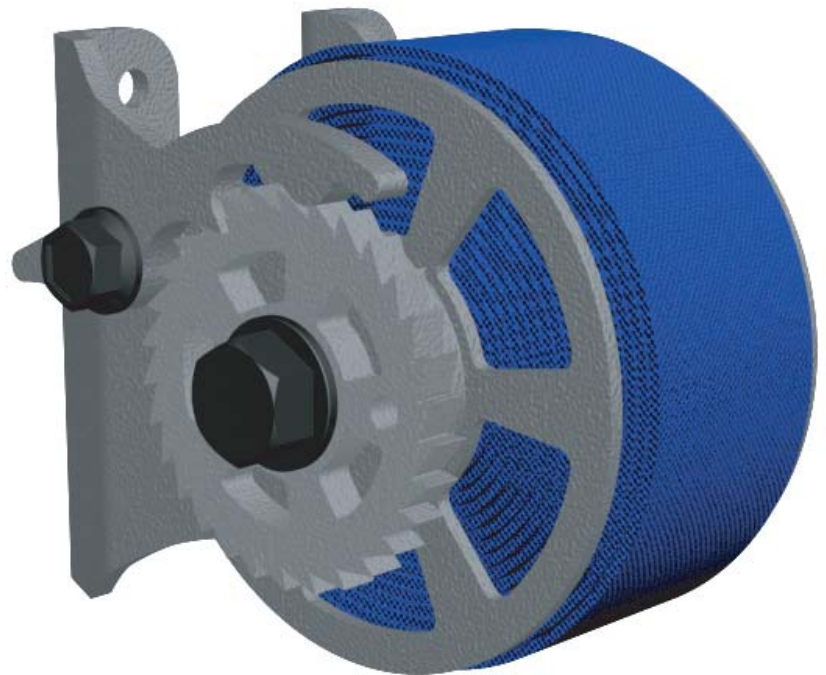
Features:

- 5000kg Lashing Capacity
- Suits 75mm (3") Webbing
- Automatic Tensioning
- Adjustable Tension
- Manual Over-ride
- Sealed Roller Bearings
- Proven Rugged Design
- Pre-Assembled and Adjusted
- Right or Left Hand

Manual Version 30/177980

Features:

- 5000kg Lashing Capacity
- Easy Tensioning
- Pre-Tension up to 2000kg
- Suits 75mm (3") Webbing
- Replaceable Nylon Bushes
- Proven Rugged Design
- Pre-Assembled and Adjusted
- Right or Left Hand
- Multi Purpose Winch Bar
- Accommodates straps up to 12m in length



Tested to "AS/NZS-4380:2001 Motor vehicles – Cargo restraint Systems"
Webbing straps not included. 9m x 75mm shown for illustrative purposes only.

Specifications Subject to change without notice. These specifications supersede all previous specifications as of 1st January 2010

Winch Bar 22mm/Hex (30/177986)

Multi Purpose

Safe

Easy to use

*Hex suits new winch
and 22mm bar end suits
older type winches with hole*



Remote Release Kit (30/177004)

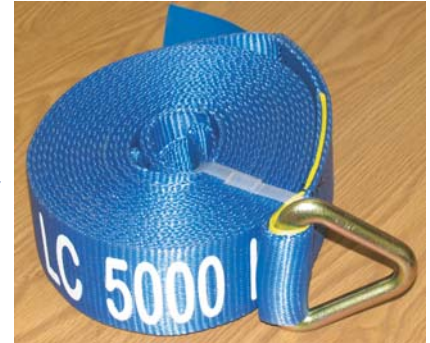
*Safely release winch strap
from opposite side of trailer*



Webbing Straps (60/WC-5)

9m x 75mm

5000kg Lashing Capacity
Hook & Keeper Version
Also Available



Winch Mounting (Auto & Manual)



Winches
Tested to
AS/NZS
4380-2001
(LC5000kg)



Frame Mounted

**Under Tray
Mounted**

Bolster Mounted



<p>Victorian Office 670 Somerville Road Sunshine, VIC 3020 Ph: (03) 9311 6366 Fax: (03) 9311 6466 Email: vic.office@elph.com.au</p>	<p>Head Office Tasman Hwy, Triabunna, TAS 7190 Ph: (03) 6257 3242 Fax: (03) 6257 3573 Email: tri.office@elph.com.au</p>	<p>WA Office 16 Williams Road, Collie, WA 6225 Ph: (08) 9734 3820 Fax: (08) 9734 2795 Email: wa.office@elph.com.au</p>
--	--	---